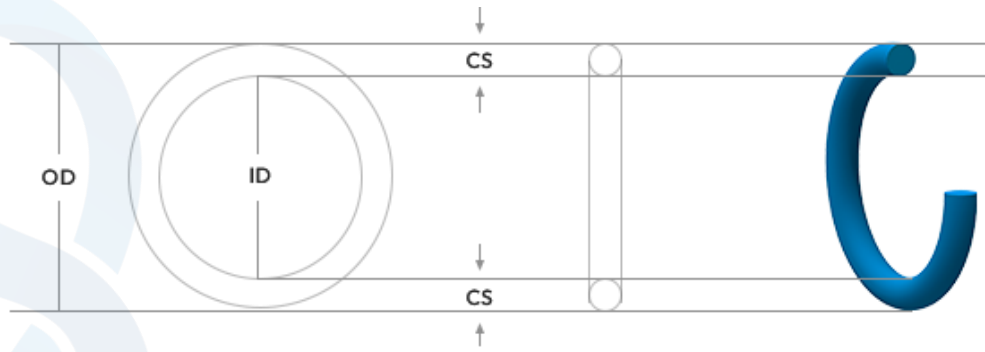


JIS B 2401-S 系列 O-RING 規格表

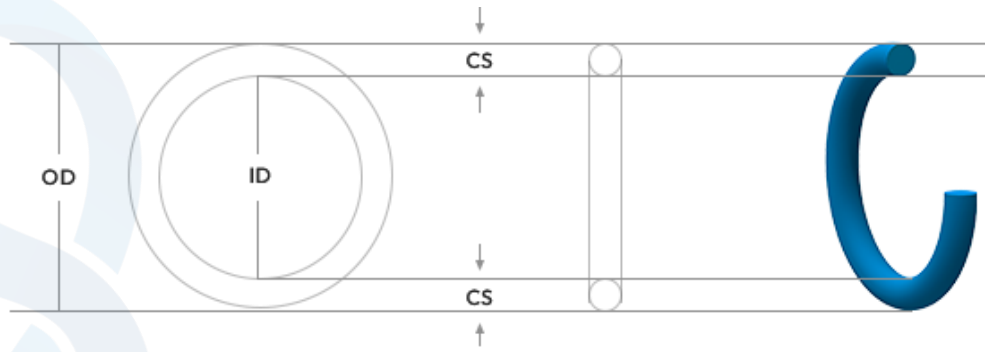


單位 unit:mm

規格	ID(內徑)	OD(外徑)	CS(線徑)
S2	1.5	4.5	1.5
S3	2.5	5.5	1.5
S4	3.5	6.5	1.5
S5	4.5	7.5	1.5
S6	5.5	8.5	1.5
S7	6.5	9.5	1.5
S8	7.5	10.5	1.5
S9	8.5	11.5	1.5
S10	9.5	12.5	1.5
S11.2	10.7	13.7	1.5
S12	11.5	14.5	1.5
S12.5	12.0	15.0	1.5
S14	13.5	16.5	1.5
S15	14.5	17.5	1.5
S16	15.5	18.5	1.5
S18	17.5	20.5	1.5
S20	19.5	22.5	1.5
S22	21.5	24.5	1.5
S22.4	21.9	25.9	2.0
S24	23.5	27.5	2.0
S25	24.5	28.5	2.0
S26	25.5	29.5	2.0
S28	27.5	31.5	2.0
S29	28.5	32.5	2.0
S30	29.5	33.5	2.0
S31.5	31.0	35.0	2.0
S32	31.5	35.5	2.0
S34	33.5	37.5	2.0
S35	34.5	38.5	2.0
S35.5	35.0	39.0	2.0

規格	ID(內徑)	OD(外徑)	CS(線徑)
S36	35.5	39.5	2.0
S38	37.5	41.5	2.0
S39	38.5	42.5	2.0
S40	39.5	43.5	2.0
S42	41.5	45.5	2.0
S44	43.5	47.5	2.0
S45	44.5	48.5	2.0
S46	45.5	49.5	2.0
S48	47.5	51.5	2.0
S50	49.5	53.5	2.0
S53	52.5	56.5	2.0
S55	54.5	58.5	2.0
S56	55.5	59.5	2.0
S60	59.5	63.5	2.0
S63	62.5	66.5	2.0
S65	64.5	68.5	2.0
S67	66.5	70.5	2.0
S70	69.5	73.5	2.0
S71	70.5	74.5	2.0
S75	74.5	78.5	2.0
S80	79.5	83.5	2.0
S85	84.5	88.5	2.0
S90	89.5	93.5	2.0
S95	94.5	98.5	2.0
S100	99.5	103.5	2.0
S105	104.5	108.5	2.0
S110	109.5	113.5	2.0
S112	111.5	115.5	2.0
S115	114.5	118.5	2.0
S120	119.5	123.5	2.0

JIS B 2401-S 系列 O-RING 規格表



單位 unit:mm

規格	ID(內徑)	OD(外徑)	CS(線徑)
S125	124.5	128.5	2.0
S130	129.5	133.5	2.0
S132	131.5	135.5	2.0
S135	134.5	138.5	2.0
S140	139.5	143.5	2.0
S145	144.5	148.5	2.0
S150	149.5	153.5	2.0
S155	154.5	158.5	2.0
S160	159.5	163.5	2.0
S165	164.5	168.5	2.0
S170	169.5	173.5	2.0
S175	174.5	178.5	2.0
S180	179.5	183.5	2.0
S185	184.5	188.5	2.0
S190	189.5	193.5	2.0
S195	194.5	198.5	2.0
S200	199.5	203.5	2.0
S205	204.5	208.5	2.0
S210	209.5	213.5	2.0
S215	214.5	218.5	2.0
S220	219.5	223.5	2.0
S225	224.5	228.5	2.0
S230	229.5	233.5	2.0
S235	234.5	238.5	2.0
S240	239.5	243.5	2.0
S245	244.5	248.5	2.0
S250	249.5	253.5	2.0
S255	254.5	258.5	2.0
S260	259.5	263.5	2.0
S265	264.5	268.5	2.0

規格	ID(內徑)	OD(外徑)	CS(線徑)
S270	269.5	273.5	2.0
S275	274.5	278.5	2.0
S280	279.5	283.5	2.0
S285	284.5	288.5	2.0
S290	289.5	293.5	2.0
S295	294.5	298.5	2.0
S300	299.5	303.5	2.0